

# Industrial LCD Monitor

Model Name ►► **TKM064**

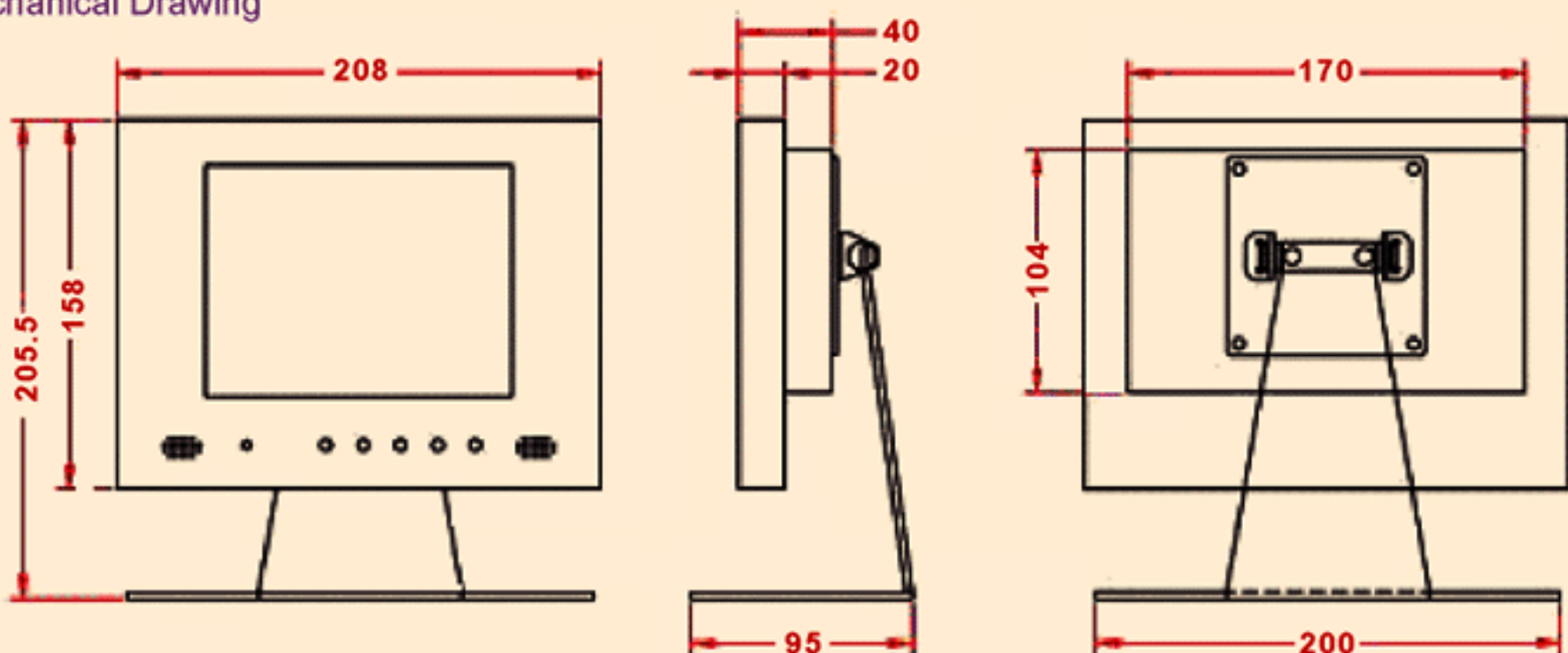


*Picture is for reference*

1. High Contrast color TFT LCD Display support resolution up to VGA.
2. Power management system conforms to VESA DPMS and EPA Energy Star Standards.
3. Full consideration for touch screen installation and application.
4. Universal Power adapter.
5. Support DDC1&DDC2B for Plug & Play compatibility.
6. Advanced OSD control for picture quality adjustment.
7. Detachable stand for wall-mounting application.
8. Heavy duty Monitor with steel frame.
9. Custom design by request.



## ↙ Mechanical Drawing



# Industrial LCD Monitor

## TKM064

Model Name	TKM064
Panel Type	PRIME VIEW 6.4-inch LCD Panel
Active Display Area (mm)	129.6 (H) x 97.4 (V)
Pixel Pitch (mm)	0.2025(H) x 0.2025 (V)
Number of Pixels	640 x 480
Contrast Ratio	400 : 1
Display color	262,144 colors
Brightness (cd/m <sup>2</sup> )	400 cd/m <sup>2</sup>
Backlight	2 CCFL Backlight unit
View Angle (CR>=10)	-50 ~ +50 (H) ; -35 ~ +15 (V)
Optical Rise Time / Fall Time	35 ms
Synchronization Range Horizontal / Vertical	31.5 ~ 68 KHz / 56 ~ 75 Hz
Recommended Resolution	640 x 480 @ 60Hz, 75Hz
Signal Connector	15 pin D-Sub
Front Control	Power ON / OFF with LED, Menu & Select / Up & value decrease Auto Adjust / Down / value increase / Source
OSD	Volume, Brightness, Contrast, Color-RGB, Auto Tune, H-Position, V-Position, Center, Frequency, Phase, Track, Text, / Graphics, Language, Recall, Save, Saturation, Hue,
Power Adapter	Universal AC 100V ~ 240V, 50 ~ 60Hz Input DC 12V, 4.0A Output, 48Watt MAX
Power Consumption	20 Watt Typical, Normal operation
Power Management	VESA DPMS Compliant
Plug & Play	Support DDC1&DDC2B for Plug & Play compatibility
Option Touch	Resistive ; Capacitive
Video Input	Option