



Industrial LCD Monitor

YJE-M104A-XXX / YJE-M104L-XXX

Features:

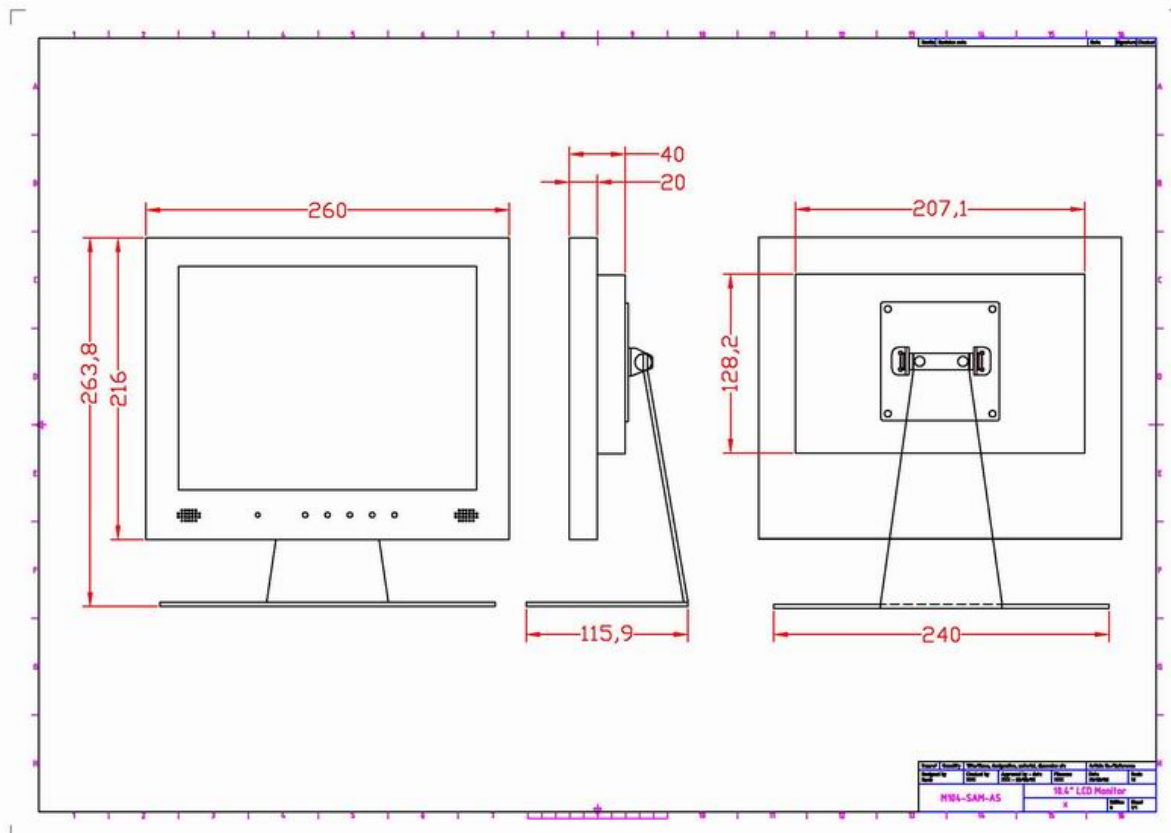
- High Contrast color TFT LCD display support resolution up to SVGA
- Power management system conforms to VESA DPMS and EPA Energy Start Standards.
- Full consideration for touch screen installation and application
- Universal power adapter
- Support DDC1&DDC2B for Plug & Play compatibility
- Advanced OSD control for picture quality adjustment
- Detachable stand for wall-mounting application
- Heavy duty Monitor with steel frame
- Custom design by request

Product Specification

Model Name	YJE-M104A-XXX	YJE-M104L-XXX
Panel Type	AU 10.4-inch LCD Panel	
Active Display Area (mm)	211.2 (H) x 158.4 (V)	
Pixel Pitch (mm)	0.264 (H) x 0.264 (V)	
Number of Pixels	800 x 600	
Contrast Ratio (MIN)	500 : 1	500 : 1
Display Color	262,144 colors	262,144 colors
Brightness (cd/m ²)	400 cd/m ²	230 cd/m ²
Backlight	2 CCFL Backlight unit	1 CCFL Backlight unit
Viewing Angle (CR>=10)	-60 ~ +60 (H) ; -40 ~ 60 (V)	-60 ~ +60 (H) ; -40 ~ 60 (V)
Optical Rise Time / Fall Time	35 ms	35 ms
Synchronization Range Horizontal / Vertical	31.5 ~ 68 KHz / 56 ~ 75 Hz	
Recommended Resolution	800 x 600 @ 60Hz, 75Hz	
Signal Connector	15 pin D-Sub	
Front Control	Power ON / OFF with LED, Menu & Select / Up & value decrease Auto Adjust / Down / value increase / Source	
OSD	Volume, Brightness, Contrast, Color-RGB, Auto Tune, H-Position, V-Position, Center, Frequency, Phase, Track, Text, / Graphics, Language, Recall, Save, Saturation, Hue,	
Power Adapter	Universal AC 100V ~ 240V, 50 ~ 60Hz Input DC 12V, 4.0A Output, 48Watt MAX	
Power Consumption	28 Watt Typical, Normal operation	
Power Management	VESA DPMS Compliant	
Plug & Play	Support DDC1&DDC2B for Plug & Play compatibility	
Option Touch	Resistive ; Capacitive	
Video Input	Option	

Specification is subject to change without notice

Mechanical Drawing



Ordering Information:

YJE-M104A-XXX / YJE-M104L-XXX (ABC)

A : 0 (Without stand) ; 1 (with stand) 2 (With Wall mount)

B : 0 (Stander) ; 1 (With Touch (USB)) ; 2 (With Touch (RS-232)) ; 3 (With protective lens)

C : 0 (VGA Only with Audio) ; 1 (with Video input) 2 (With Media player kits)

We do what your need.....