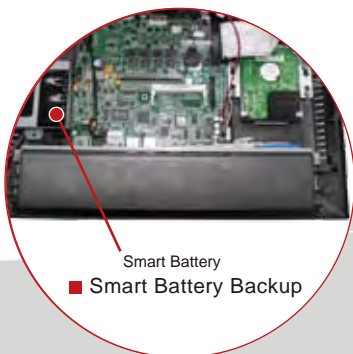


SmartPPC 70



SmartPPC 70

Specifications

System

Model	SmartPPC715
	SPPC70-5B-C1G

Main Board

CPU	Intel® Ultra Low Voltage Celeron® M 1GHz w/o L2 Cache
Core Logic	Intel® 852GM + ICH4
System Memory	SO-DIMM DDR 266/333, 128MB up to 1GB
OS Support	Win2000, Win XP / XPe, Linux, WEPOS, WinCE

Display

TFT LCD Size	15.4" 16:10 aspect ratio
Brightness	200nits
Resolution	1280 x 800
Touch Screen	5-wire Resistive Type
Wall Mount	Support VESA Mount

Storage Device

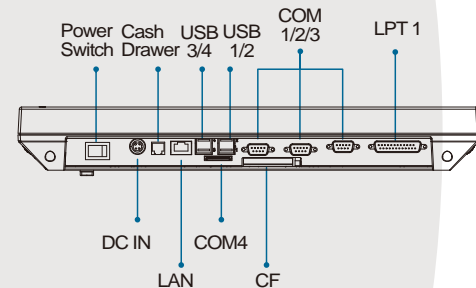
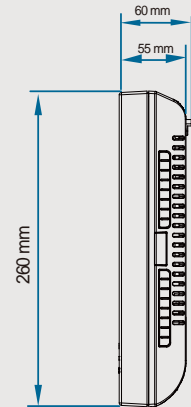
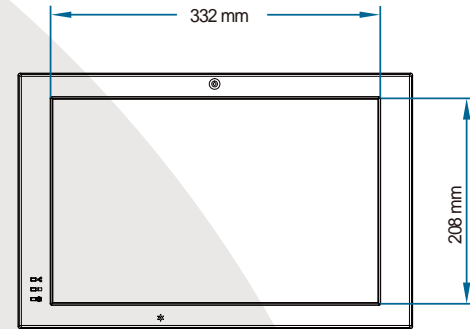
HDD	1 x IDE , 2.5" HDD
Compact Flash	1 x Slot Compact Flash Type II

I/O Ports

Serial	5 x RS-232, 1 x RS-232/422/485 COM1: DB-9, RS-232/422/485, Pin9 w/ RI/5V/12V Selectable by BIOS COM2/3: DB-9, RS-232, Pin9 w/ RI/5V/12V Selectable by BIOS, COM4: Internal for MSR; COM5: 15Pin Header or DB9; COM6: Internal for Touch Panel
Parallel	1 x DB25 ECP/EPP/SPP
USB	4 x USB2.0
PS/2 Keyboard	1 x internal for MSR, iButton
LAN	1 x Gigabit Ethernet by RJ-45
Cash Drawer	1 x RJ-11 (Power Pin 12V)
Audio	AC' 97 2.0 Compliant, 2W Speaker x 2 , 1 x build-in Micphone
Expansion	1 x Mini PCI, optional wireless LAN module
Camera	1.3M pixels, USB type build-in web camera

Others

Power Input	External adapter, 135W, 19VDC input
UPS Power Backup	Optional 4P1S battery backup
Color	Black
Material	Die-casting Aluminum
EMC & Safety Compliance	FCC / CE / RoHS
Weight (Kgs)	4.9 Kg
Dimension W x D x H (mm)	332 x 208 x 55
Operating Temperature	5°C ~ 35°C
Storage Temperature	-20°C ~ 60°C
Humidity	20% - 85% RH, non-condensing



Ordering information

Main Unit Ordering Information

Part No.	Description
SPPC70-5B-C1G	Fanless SmartPPC715 w/ 15.4" Widescreen TFT LCD, Intel® Celeron® M 1G w/o L2 Cache CPU

Optional Accessories Ordering Information

Part No.	Description
A0400745	MSR, 3 Tracks PS/2 Type
A0400746	MSR, 2 Tracks PS/2 Type
21300004	Battery :14.4V, 2400mA, 4PIS Cell
20200020	HDD: 2.5", 80GB, Ultra ATA/100, 5400RPM
A0900003	OS License: Windows XP Professional, English Version
A0900004	OS License: WEPOS, English Version
20600001	Compact Flash: 256MB

Part No.	Description
20600002	Compact Flash: 256MB
20600018	Compact Flash: 512MB
20600005	Compact Flash: 1GB
20600023	Compact Flash: 2GB
20600008	Compact Flash: 4GB
20300005	Memory: DDR400, 128MB, 200Pin SO-DIMM, non-ECC
20300006	Memory: DDR400, 256MB, 200Pin SO-DIMM, non-ECC
20300007	Memory: DDR400, 512MB, 200Pin SO-DIMM, non-ECC
20300009	Memory: DDR400, 1GB, 200Pin SO-DIMM, non-ECC

Specifications are subject to change without notice. Issue Date: 2008/09

EBN

EBN Technology Corp.

EBN Technology Corp.

10F, No. 90, Sec. 1, Sintai 5th Rd., Sijhih City, Taipei County 221, Taiwan
TEL: 886-2-2696 9292 FAX: 886-2-2696 9393

E-mail: sales@ebn.com.tw <http://www.ebn-pos.com>