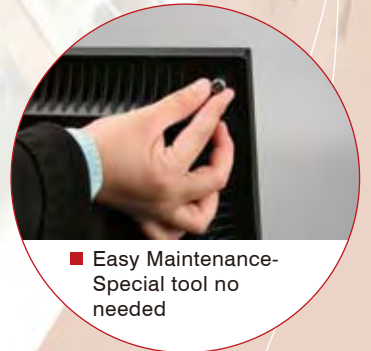


EZPOS 70



■ Easy Maintenance-
Special tool no
needed



■ Wide Tilt Angle



■ Easy Maintenance
System



■ Easy Maintenance
Simple Mounting

EZPOS 715

Specifications

System

Model	EZPOS715
-------	----------

Main Board

CPU	Intel® Ultra Low Voltage Celeron® M 1GHz w/o L2 Cache	Intel® Ultra Low Voltage Celeron® M 1.5GHz w/1MB L2 cache
Core Logic	Intel® 852GM + ICH4	
System Memory	SO-DIMM DDR 200/266, 128MB up to 1GB	
OS Support	Win XP / XPe, Linux, WEPOS, WinCE	

Display

TFT LCD Size	15"
Brightness	250nits
Resolution	1024 x 768
Touch Screen	5-wire Resistive Type

Storage Device

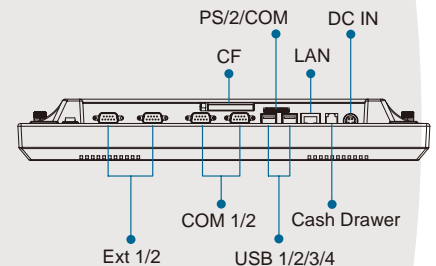
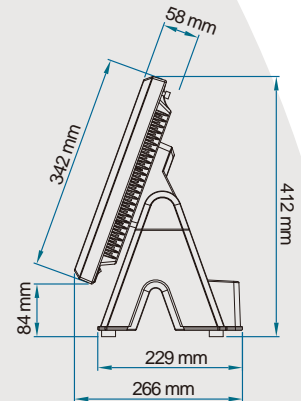
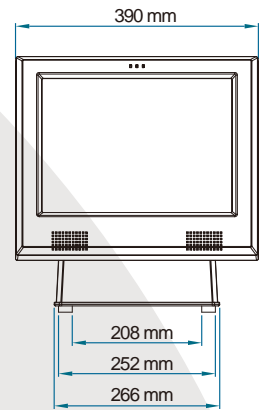
HDD	1 x IDE , 2.5" HDD Drive Bay
Compact Flash	1 x Slot Compact Flash Type II

I/O Ports

Serial	6 x RS-232, COM 1/2/3/4 : DB-9, RS-232, Pin w/ RI/5V/12V Selectable by BIOS COM 5: Internal for Pin Header COM 6: Internal for Touch Panel
USB	4 x USB2.0
PS/2 Keyboard	1 x internal for MSR, iButton
LAN	1 x Gigabit Ethernet by RJ-45
Cash Drawer	1 x RJ-11 (Power Pin 12V)
Audio	1x Audio AC' 97 2.0 Compliant, 2W Speaker * 2
Expansion	1 x Mini-PCI

Others

Power Input	External adapter, 135W, 19VDC input
UPS Power Backup	Support Smart Battery 4S1P back up function(Optional)
Color	Black
Material	Die-casting Aluminum
EMC& Safety Compliance	FCC / CE
Weight (Kgs)	6.5
Dimension W x H x D (mm)	390 x 412 x 266
Operating Temperature	5°C ~ 35°C
Storage Temperature	-20°C ~ 60°C
Humidity	20% - 85% RH, non-condensing



Ordering information

Main Unit Ordering Information

Part No.	Description
EZPOS70-5B-C1G	Fanless, EZPOS715 w/ 15" TFT LCD, Intel® ULV Celeron® M 1GHz w/o L2 cache CPU
EZPOS70-5B-C15G	Fanless, EZPOS715 w/ 15" TFT LCD, Intel® ULV Celeron® M 1.5GHz w/1MB L2 cache CPU

Optional Accessories Ordering Information

Part No.	Description
A0400596	MSR: 3 Tracks PS/2 Type
A0400628	MSR: 2 Tracks PS/2 Type
A0400597	MSR: 3 Tracks RS-232 Type
A0400594	iButton & MSR: 3 Tracks PS/2 Type
A0400595	iButton, PS/2 Type
A0400335	Customer display: VFD pole, 20 columns x 2 lines, RS-232 Type
A0400264	Customer display: LCD pole, 30columns x 4 lines, RS-232 Type
21300004	Battery :15V/ 2400mA, 4PIS

Part No.	Description
A0400614	Wireless LAN 802.11 b/g WIFI module &Antenna
20600001	Compact Flash: 128MB
20600002	Compact Flash: 256MB
20600018	Compact Flash: 512MB
20600005	Compact Flash: 1GB
20600007	Compact Flash: 2GB
20600008	Compact Flash: 4GB
20300005	Memory: DDR400, 128MB, 200Pin SO-DIMM, non-ECC
20300006	Memory: DDR400, 256MB, 200Pin SO-DIMM, non-ECC
20300007	Memory: DDR400, 512MB, 200Pin SO-DIMM, non-ECC
20300009	Memory: DDR400, 1GB, 200Pin SO-DIMM, non-ECC
20900013	OS License: Windows XP Professional, Chinese Version
20900004	OS License: Windows XP Professional, Japanese Version
A0400710	OS License: WEPOS, English Version
20900001	OS License: Windows XP Professional, English Version
20200019	HDD: 2.5", 80GB

Specifications are subject to change without notice. Issue Date: 2008/06

EBN

EBN Technology Corp.

EBN Technology Corp.

10F, No. 90, Sec. 1, Sintai 5th Rd., Sijhih City, Taipei County 221, Taiwan

TEL: 886-2-2696 9292 FAX: 886-2-2696 9393

E-mail: sales@ebn.com.tw <http://www.ebn-pos.com>