

BOXPC 70



BOXPC 70

Specifications

System

Model	BOXPC 70
-------	----------

Main Board

CPU	Intel Ultra Lo Voltage Celeron M 1GHz w/o L2 cache
Core Logic	Intel 852GM + ICH4
System Memory	SO-DIMM DDR 200/266, 128MB up to 1GB
OS Support	WinXP, XPe, WEPOS, WinCE, Linux

Storage Device

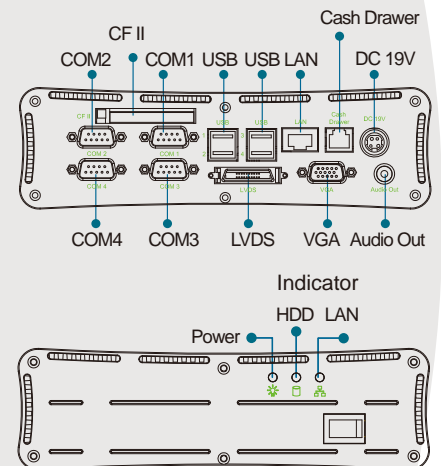
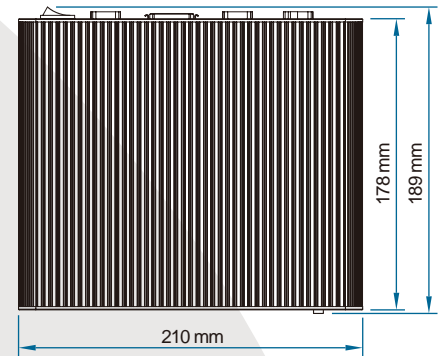
HDD	1 x IDE, 2.5" HDD Drive Bay
Compact Flash	1 x Slot Compact Flash Type II

I/O Ports

Serial	4 x RS-232 COM1 / 2 / 3 / 4: DB-9, RS-232, Pin 9 w/ RI / 5V / 12V Selectable
USB	4 x USB 2.0
LAN	1 x Gigabit Ethernet by RJ-45
Cash Drawer	1 x RJ-11 (Power Pin 12V)
Audio	1x Audio Jack Out , AC' 97 2.0 Compliant
VGA	1 x DB-15
SCSI	Combination interface of LVDS, RS-232, Power (3.3V, 5V, 12V) and LED
Expansion	1 x Mini-PCI

Others

Power Input	External Adapter, 90W, 19VDC Input
Wall Mount	Support VESA Mounting Standard
Compliance	FCC / CE
Weight (Kgs)	3.8
Dimension W x H x D(mm)	210 x 62 x 189
Operating Temperature	5°C ~ 35°C
Storage Temperature	-20°C ~ 60°C
Humidity	20 - 85% , non-condensing



Ordering information

Main Unit Ordering Information

Part No.	Description
BPC70-B-C1G	FanLess BOXPC 70 w/ Intel ULV Celeron 1GHz w/o L2 Cache CPU

Optional Accessories Ordering Information

Part No.	Description
20200020	HDD:2.5", 80GB
20900001	OS License: Windows XP Professional, English Version
A0400710	OS License: WEPOS, English Version
20900004	OS License: Windows XP Professional, Japanese Version
20900008	OS License: Windows XP Home SP2, Chinese Version
20900013	OS License: Windows XP Professional, Chinese Version

Part No.	Description
20600001	Compact Flash: 128MB
20600002	Compact Flash: 256MB
20600018	Compact Flash: 512MB
20600005	Compact Flash: 1GB
20600007	Compact Flash: 2GB
20600008	Compact Flash: 4GB
20300005	Memory: DDR400, 128MB, 200Pin SO-DIMM, non-ECC
20300006	Memory: DDR400, 256MB, 200Pin SO-DIMM, non-ECC
20300007	Memory: DDR400, 512MB, 200Pin SO-DIMM, non-ECC
20300009	Memory: DDR400, 1GB, 200Pin SO-DIMM, non-ECC

Specifications are subject to change without notice. Issue Date: 2009/01

EBN

EBN Technology Corp.

EBN Technology Corp.

10F, No. 90, Sec. 1, Sintai 5th Rd., Sijhih City, Taipei County 221, Taiwan

TEL: 886-2-2696 9292 FAX: 886-2-2696 9393

E-mail: sales@ebn.com.tw <http://www.ebn-pos.com>